

11 Pin Detector Mounting Base

CTR 119090



This screw-terminal base is designed for rail or panel mounting. It is used to connect equipment wiring to the Nortech range of “plug-in” modules including vehicle detectors / logic controllers and counters.

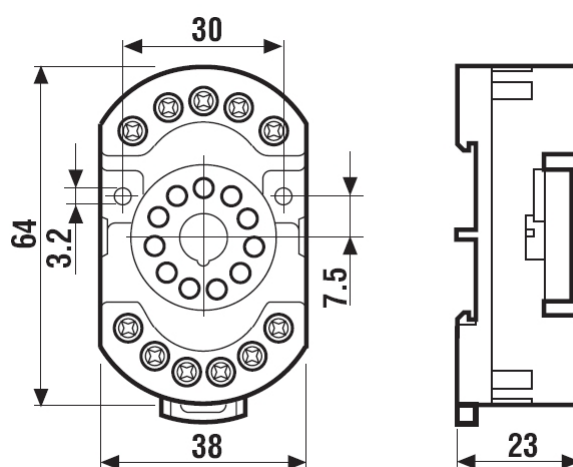
PART NUMBER

CTR 119090 11-pin Relay Base option

SPECIFICATION

Contact configuration:	11 Pin
Rated current: (A)	10 Amp
Rated voltage: (Max. voltage)	250V DC
Rated Load: (VA)	2500
Ambient temperature range:	-40° C to +70° C
Dimensions: (mm)	64x38x23
Mounting:	35mm Rail or panel mount
Panel Mount fixing:	30mm centres M2.5

Approvals: (according to type) CE, BBJ, CSA, GOST, FIMKO, SEMKO, cULus, VDE.



APPLICATIONS

- Vehicle Detector mounting
- Car Park counter mounting
- Boom gate logic controller mounting
- Vehicle ID Receiver mounting

ORDERING INFORMATION

CTR 119090	11 pin Relay Base
------------	-------------------

Nortech Detection Pty Ltd

mail: mail@nortechdetection.com.au

web: www.nortechdetection.com.au

Tel: 02 8977 4047 Fax: 02 9475 4742