

Inductive Loop Vehicle Detector 11 Pin Wiring Harness



A one metre wiring harness to connect equipment wiring to the Nortech range of "plug-in" modules including vehicle detectors, logic controllers and counters. One end is terminated in an 11 pin plug and the other end is free.

Separate part numbers are required for single and dual channel vehicle detectors.

PART NUMBERS

301FT0041 Single Channel wiring harness
302FT0041 Dual Channel wiring harness

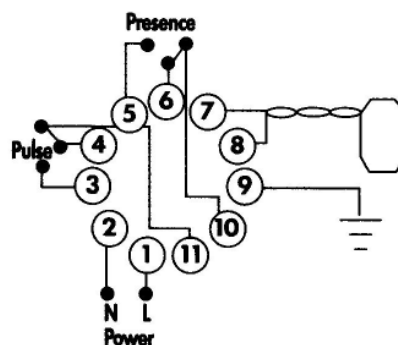
WIRING DETAIL

11-pin connector wiring – 301FT0041

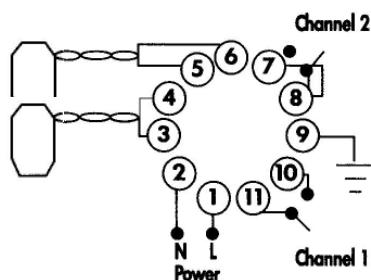
| pin | colour | designation |
|-----|--------------|-------------------|
| 1 | RED | 230V AC 50/60 Hz |
| 2 | BLACK | OR 12 - 24V AC/DC |
| 3 | GREY | N / O contact |
| 4 | VIOLET | Common contact |
| 5 | YELLOW | Normally Open |
| 6 | BROWN | Common contact |
| 7 | BLUE | Twist this |
| 8 | BLUE | pair |
| 9 | GREEN/YELLOW | |
| 10 | PINK | Normally Closed |
| 11 | WHITE | Normally Closed |

11-pin connector wiring – 302FT0041

| pin | colour | designation |
|-----|--------------|-------------------|
| 1 | RED | 230V AC 50/60 Hz |
| 2 | BLACK | OR 12 - 24V AC/DC |
| 3 | BLUE | Twist this |
| 4 | BLUE | pair |
| 5 | YELLOW | Twist this |
| 6 | YELLOW | pair |
| 7 | GREY | Normally Open |
| 8 | GREY | Common contact |
| 9 | GREEN/YELLOW | |
| 10 | WHITE | Normally Open |
| 11 | WHITE | Common contact |



Single Channel wiring



Dual Channel wiring